

LENSGO

INSTRUCTION MANUAL

取扱説明書

MODEL: TC12 P



Download the app



ANDROID

Please scan this QR code using the scan function in your browser or WeChat to download it in the usual way.



IPHONE

Search for 【 TCQI 】 on the App Store to download and install it



Users of Huawei's HarmonyOS 5.0 are advised to download the 【 TCQI 】 from the Huawei AppGallery.

FOREWORD

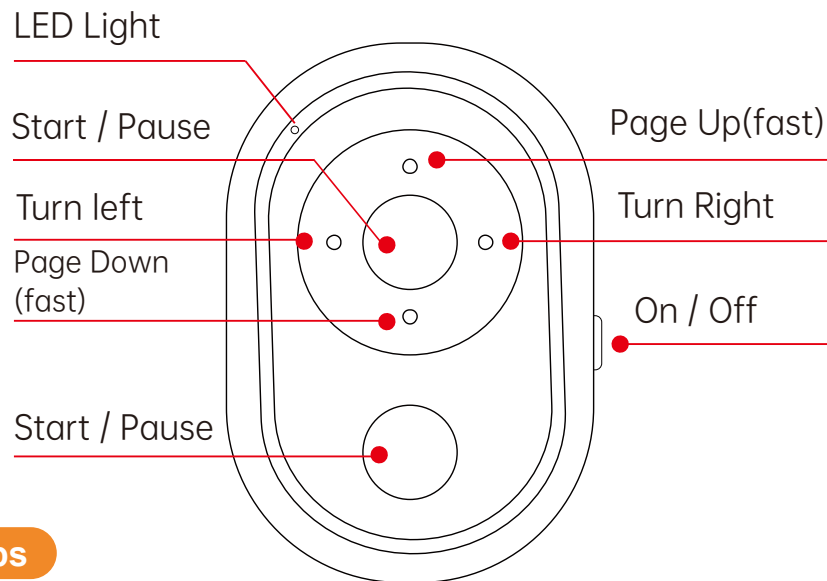
- First, thank you for purchasing LENS GO products.
- This user manual introduces product operation and precautions. Please read it thoroughly to understand safety guidelines, product features and operation before use.

IMPORTANT NOTICE

- This manual provides guidance on the correct use and care of the TC12 P mobile teleprompter and its accessories, and assists users in resolving queries and understanding safety precautions.
- **Please read this manual carefully and keep it in a safe place.** When passing the product on to others, please ensure that this instruction manual is included, pay attention to all warnings and follow all instructions contained herein.
- **Accessories Guide**
Accessories like Bluetooth remote, clamps and screws are consumables (not covered by 1-year warranty). Check for wear regularly; buy replacements from dealers when needed.

BLUETOOTH REMOTE CONTROL

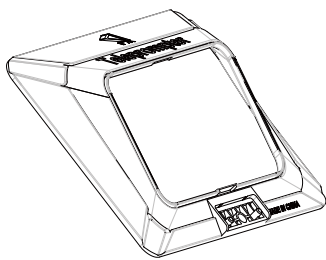
- Control the teleprompter app to turn pages, pause, adjust settings, and change the font and background colour



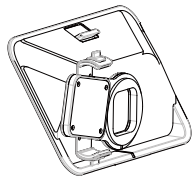
Connection steps

- Download and install the TCQI teleprompter app.
- Turn on the Bluetooth remote control.
- Turn on phone Bluetooth and connect to the device named "TCQI".

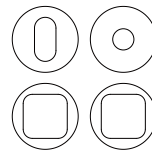
ACCESSORIES LIST



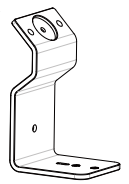
① Main Screen



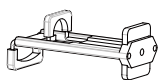
② Base Plate +
Phone Clamp



③ Phone Lens
Ring



④ Bracket / Stand



⑤ Phone/ Tablet
Dual-purpose
Clamp

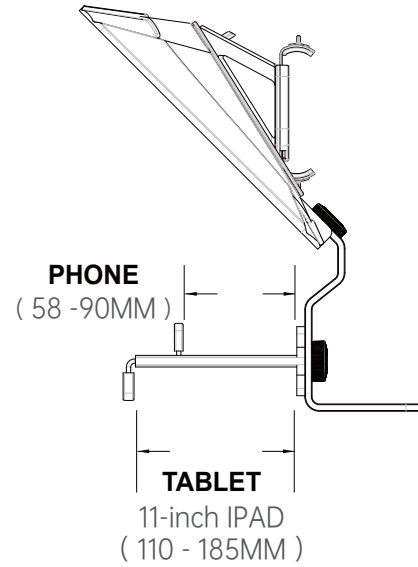
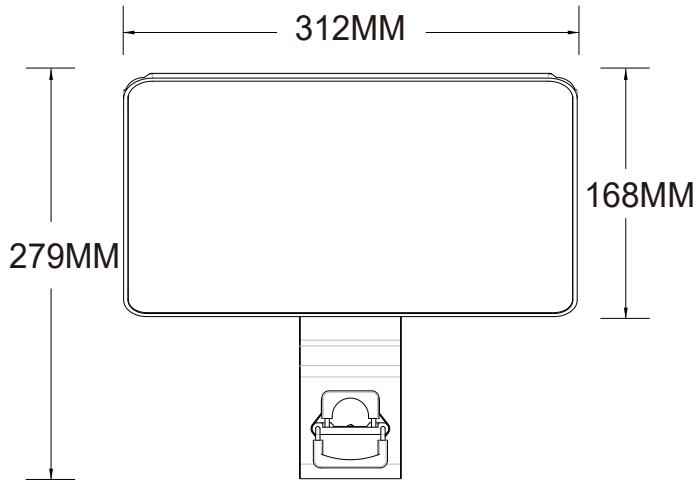


⑦ Bluetooth
Remote
Control



⑥ Thumb screw x 2

STRUCTURAL DIMENSIONS



SPECIFICATIONS

MODEL :	TC12 P
MATERIAL :	Aluminum Alloy, ABS
TELEPROMPTER EQUIPMENT :	Tablets $\leq 11"$ (110-185mm) & phones 58-90mm
SHOOTING EQUIPMENT :	Smartphone (portrait / landscape adjustable)
GLASS SIZE :	305.7*160*1.8MM
TELEPROMPTER APP :	TCQI supports Android & iOS
MAIN SCREEN WEIGHT :	/
BASE & PHONE CLAMP WEIGHT :	/
NET WEIGHT :	/
PACKAGE NET WEIGHT :	/

USAGE

01 / Secure bracket & main screen with screws;
Place phone lens ring into shooting hole.



02 / Install phone, adjust position & focus; lock main screen with orange buckle. Attach tablet/phone clamp to bracket, fasten with screws.



03 / Mount tablet on holder for teleprompter use. For phone use: remove tablet, re-install the reversible clamp upside down.



WARNING:

- Adjust phone position or focus if front panel appears in camera view.

• **IPHONE COMPATIBILITY INSTRUCTIONS**

This product features model-specific lens cutouts for different phones.

Align and insert the main camera lens into the corresponding opening only.

Pre-iPhone 15 models

Square openings
(thick/thin) match
camera modules.



iPhone 15 & newer models

Vertical slots fit
vertically arranged
camera modules.



• **ANDROID COMPATIBILITY INSTRUCTIONS**

Select square, round or vertical openings per camera module.

Align main lens into the matching hole for installation.



• **Horizontal / Vertical shooting adjustment**

After installation, freely adjust phone to horizontal/vertical shooting angle as needed.



Warranty card

Warranty Information

1. One-year warranty applies to all buyers from our authorized dealers. It covers manufacturing defects and faults arising from normal use. Damage from fire, water, physical impact or prohibited operations is excluded. Consumables like remotes, holders and screws are not covered.

The glass screen enjoys a 1-year free warranty, **covering only damage caused by product inherent detachment & falling**. Damage from artificial dropping, impact, scratching, disassembly, improper use or external force is excluded from warranty coverage.

2. Please contact authorized technicians for repairs. Damage caused by unauthorized disassembly is not covered under warranty, but paid repair service is available.

Warranty Contact Card

MODEL:	Company Seal:
Order No.:	
Reason:	
Contact Information:	
Address:	

Qualified Certificate

MODEL:	TC12 P Smartphone teleprompter for video/photography	
Inspector No.:	06	
Production Batch No.:	20251201	
Product Grade:	A	


LENSGO

Shenzhenshijiazhiyingyingshiqicaiyouxiangongsi

Address: Room 201, Building C, No. 8 Fengqi Road, Fucheng'ao Community,
Pinghu Subdistrict, Longgang District, Shenzhen, China

Web: <https://www.lensgo.net/>

Executive Standard: Q/LYJ004-2018

 Facebook: Lensgotech

